

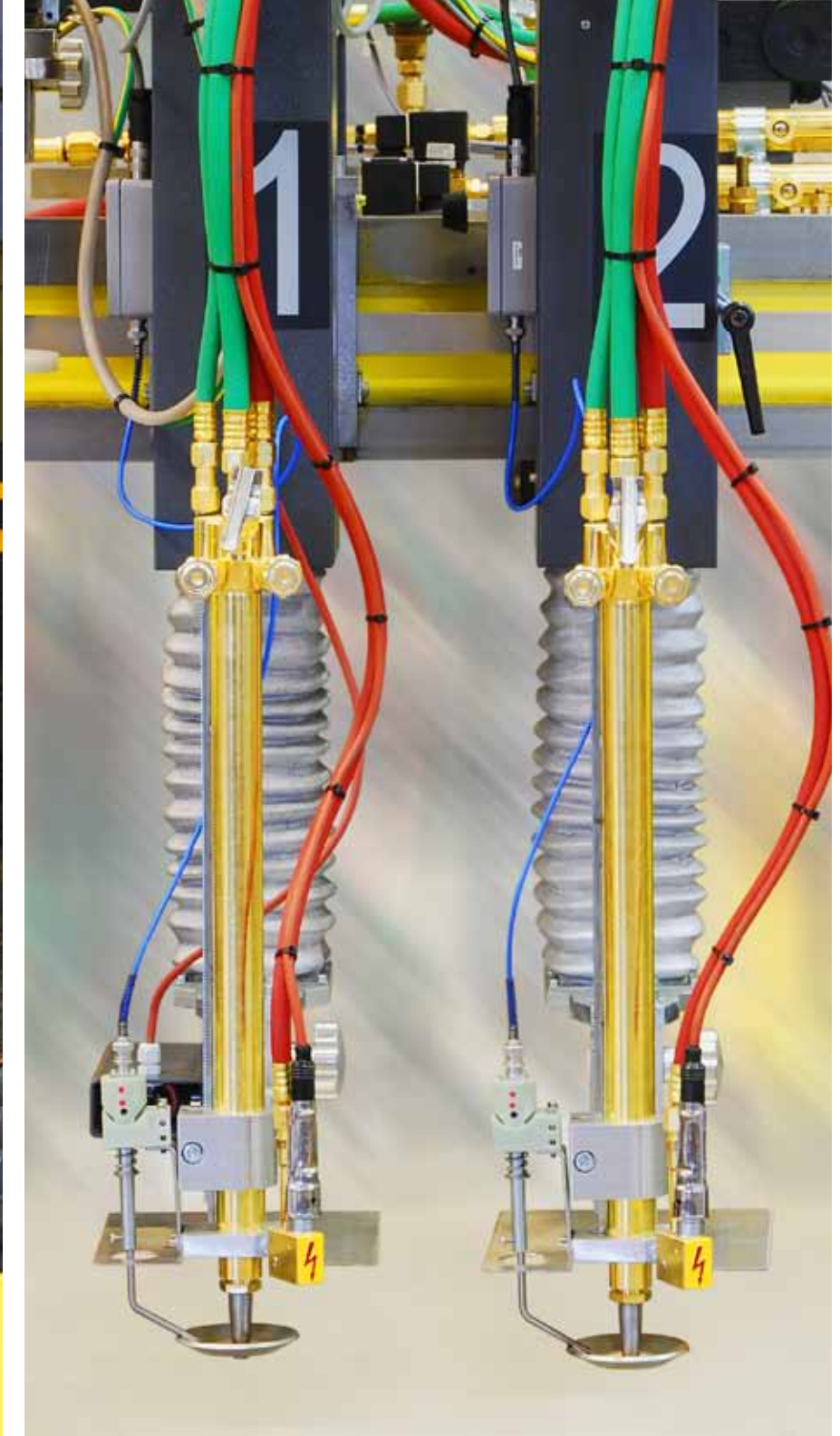


FALCON FXA

CNC Plasma and Oxy-Fuel Cutting Machine

THE ECONOMICAL SOLUTION
RUGGED AND RELIABLE



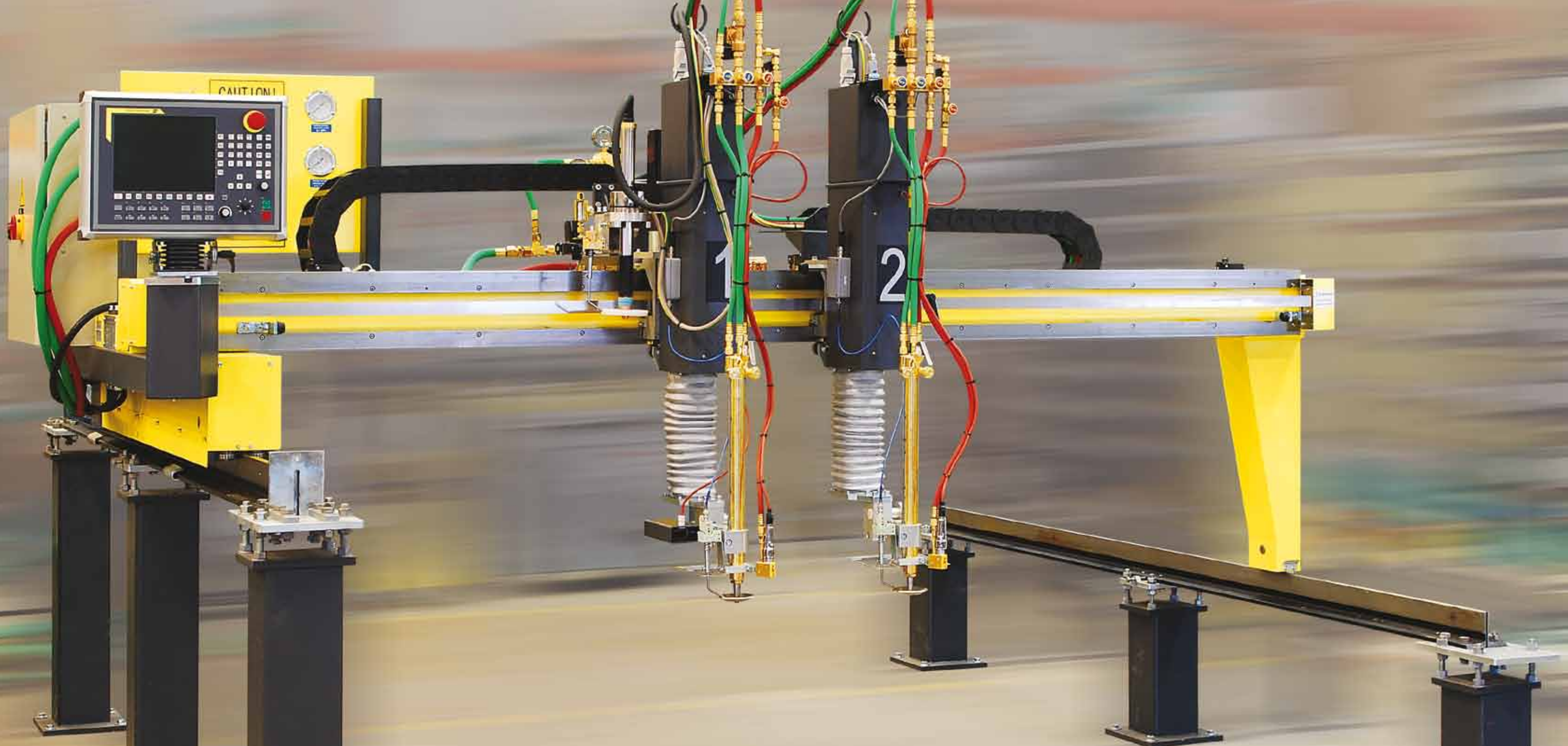


FALCON FXA

**Rugged, reliable, affordable -
the best machine for the money**

The FALCON FXA is a robust CNC gantry designed for plasma and oxy-fuel cutting of heavy plate steel, stainless steel, or aluminum. Every part of this machine is over-built, with the heavy-duty reliability you'd expect from ESAB. And there's no skimping on features, with the

industry's best digital AC drives, the ultra-reliable Vision 51 CNC, plasma packages up to 360 Amps, and oxy-fuel cutting up to 6 inch thick, the FALCON FXA delivers big machine performance at a small machine price.



FALCON FXA

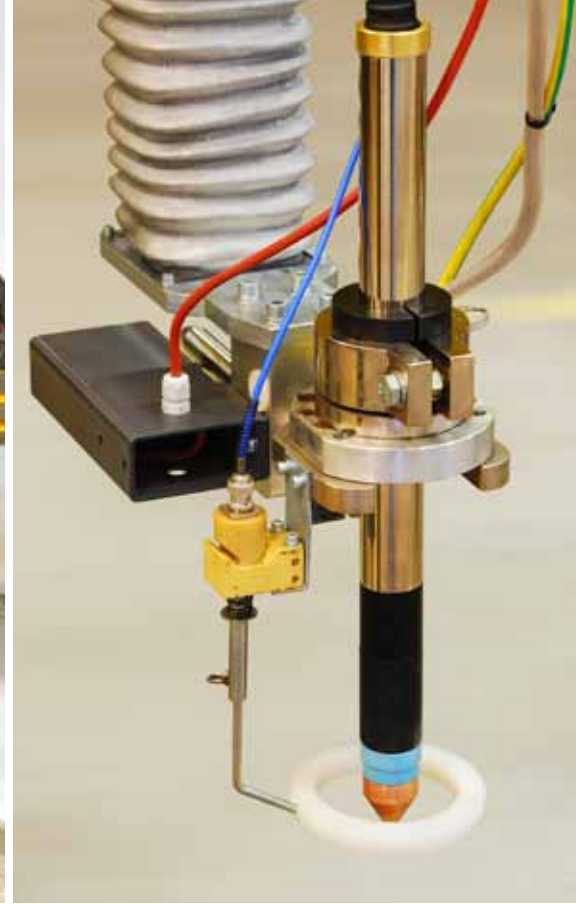
Versatile Oxyfuel and Plasma Cutting

The machine consists of a solid, reinforced box beam. This ensures perfect stiffness over the entire machine width. The axes drives feature digital AC drive amplifiers with AC brushless motors and precision gearboxes yielding high cutting speeds and superb accuracy throughout

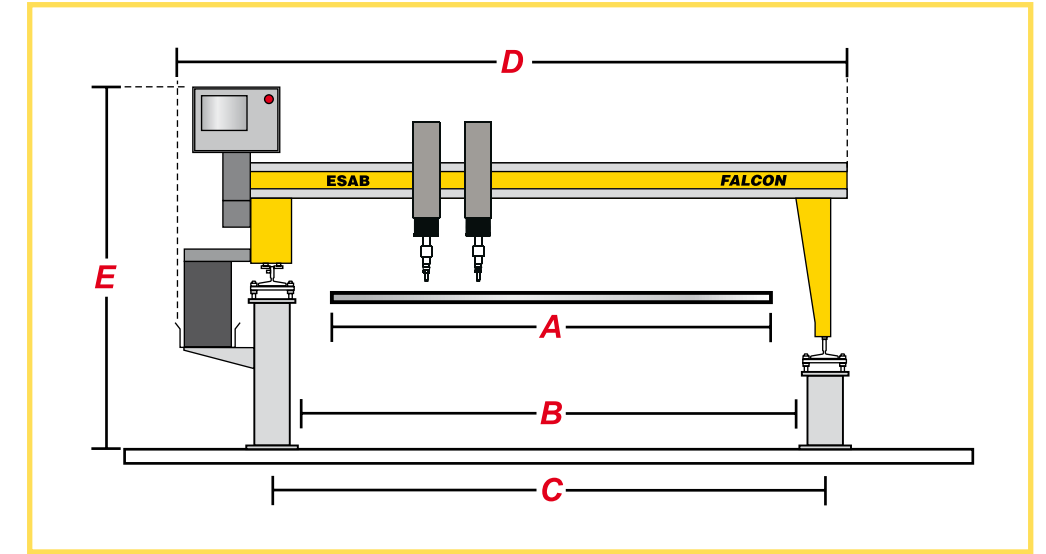
the entire cutting area. Precision drive racks and ways mount directly to machined surfaces, and triple machined T-rails give smooth and accurate motion. This rugged design and built-in quality reduces maintenance and ensures a long service life.

Two tool carriages are attached to a stainless steel band which transfers motion to the follower carriage. A quick action band clamp allows efficient manual positioning of the tool carriages. All tool stations utilize heavy-duty 8" stroke tool lifters with fully enclosed linear rails for accurate

tool holding. The outboard rail is mounted lower than the cutting table for easy loading and unloading with forklifts, and reduced risk of collision. All hoses and cables are guided and protected in cable chains in both axes.



Specifications



Plasma Cutting

A variety of ESAB plasma systems are available, from 60 up to 360 Amps, for cutting mild steel, stainless steel and aluminium. The plasma station features automatic initial height sensing followed by arc voltage height control during the cutting process. This ensures

optimum cut quality at all times. The torch collision protection system will immediately stop the cutting process and shut down the machine in case of a collision or crash.

Oxy-fuel Cutting

The FALCON FXA can be fitted with two oxy-fuel cutting torches for cutting mild steel plate. Up to 6 inch thick steel can be cut with a single torch, or up to 4 inch thick with two torches simultaneously. Each tool carriage is equipped with a reliable automatic ignition device, and solenoid valves on

the carriages allow for automatic piercing. The optimum cutting height is maintained by capacitive height control, ensuring consistent cut quality and automated operation.

Vision CNC System

The FALCON FXA is a highly versatile machine for oxy-fuel cutting and plasma. All processes are controlled from the Vision 51 CNC system. This feature packed controller uses a color-coded graphical user interface, making it easy to learn, and easy to operate. Programs can be

generated from the built-in shape library, loaded by network connection, USB port, or RS-232 serial connection. Reliability is ensured by the control's solid-state disk drive and robust industrial operating system.

Machine Sizes	3000	3500
Cutting Width (A)	72 in.	96 in.
Internal Clearance (B)	94 in.	114 in.
Rail Gauge (C)	118.1 in.	137.8 in.
Machine Width (D)	134 in.	154 in.
Machine Height (E)	76 in.	
Cutting Table Height	28 in.	
Machine Length (parking area)	78 in.	
Rail Height	37 in. / 20 in.	
Rail Lengths	20 ft. (6m) , 26 ft. (8m)	
Cutting Lengths	13 ft., 20 ft.	
Maximum Tool Configuration	1 Plasma, 2 Oxy-Fuel	
Maximum pierce thickness, 1 torch	4 in.	
Maximum pierce thickness, 2 torches	2.5 in.	
Max. Cutting Thickness, 1 torch	6 in.	
Max. Cutting Thickness, 2 torches	4 in.	
Cutting Speed Range	2 - 350 inch/min.	
Positioning Speed	750 inch/min.	
Supply Voltage	230 VAC, 50/60Hz, 1 Phase	
Power Input	10 Amps	

Specifications subject to change without notice. Products may vary from those illustrated.

ESAB CUTTING SYSTEMS

Productivity - Service - Reliability



When you buy ESAB, you get more than just a machine. You get an experienced and dedicated partner supporting you throughout the life of your machine.

We are committed to exceeding your expectations of after-sales service and support, to providing an efficient supply chain for

spares, wear and consumables; and to offering a comprehensive range of services and products to ensure your continuing success.

Quality products, innovative technology and dedicated customer service... these are the hallmarks of your partnership with ESAB.

ESAB sales and service offices worldwide



© 2010 ESAB CUTTING SYSTEMS. All rights reserved. Reproduction or copying in whole or in part only with the written permission of the publisher.



ESAB Cutting Systems

U.S.A.
411 S. Ebenezer Rd.
Florence, SC 29501
Phone: 843-664-4394

Canada
6010 Tomken Road
Mississauga, Ontario L5T 1X9
Phone: 905-670-0220

Mexico
AVE. Diego Diaz de Berlanga No. 130
Col. Nogalar
San Nicolas de los Garza, N.L. 66480
Monterrey, Mexico
Phone: 81-8305-3700

Web: www.esabcutting.com
E-Mail: us.mgr.cutting@esab.com